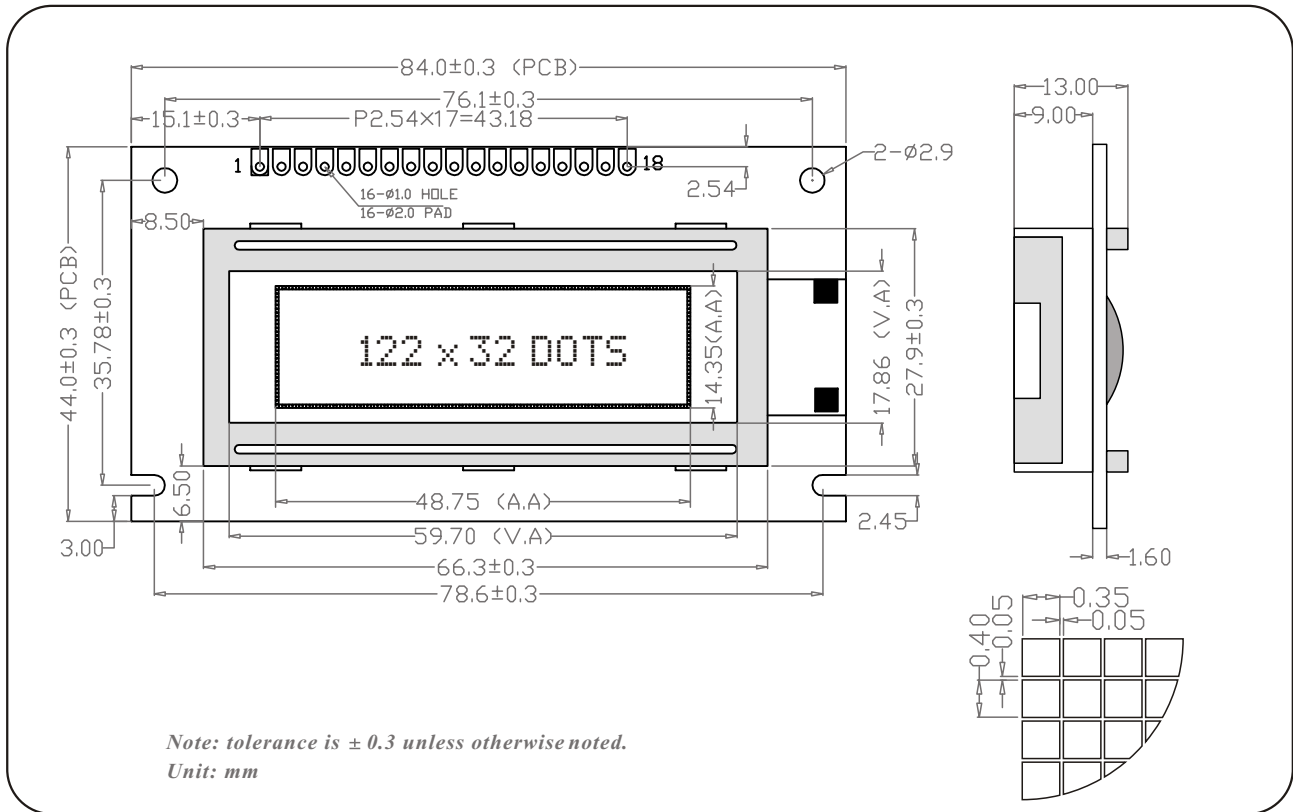


CHARACTERISTICS:

DISPLAY CONTENT: 122 × 32 DOTS OR 122 × 16+122 × 16 DOTS
 LCD TYPE: STN Y/G、STN BLUE
 LED BACKLIGHT: Y/G、WHITE
 CONTROLLER: SED1520 OR EQUAL
 OPERATING TEMPERATURE: NORMAL(0–50°C); WIDE(–20–70°C)
 POWER SUPPLY: 5.0V
 VIEWING ANGLE: 6H; 12H

DIMENSIONS/DISPLAY CONTENT



PIN CONFIGURATION

1	2	3	4	5	6	7	8	9
VDD	VSS	Vo	RES	E1	E2	R/W	A0	DB0
10	11	12	13	14	15	16	17	18
DB1	DB2	DB3	DB4	DB5	DB6	DB7	LEDA	LEDK

LIMIT PARAMETER (Ta=25°C)

Parameter	Symbol	Standard Values		Unit
		Min.	Max	
Supply Voltage	VDD-VSS	0	5.5	V
LCD Voltage	VDD-V0	0	12	
Input Voltage	V1	0	VDD	

ELECTRONIC PARAMETER

Parameter	Symbol	Standard Values			Unit	
		Min.	Typ.	Max		
Voltage	Logic	VDD-VSS	4.75	5.0	5.25	V
	LCD	VDD-V0	4.5	5.0	6.5	V
Current	Logic	IDD	-	2.5	-	mA
	LCD	IEE	-	2.0	-	mA
LCD Drive Voltage(25°C)			-	5.0	-	V
Input Voltage	H	VIH	0.7VDD	-	VDD	V
	L	VIL	0	-	0.3VDD	V

APPLICATION CIRCUIT

